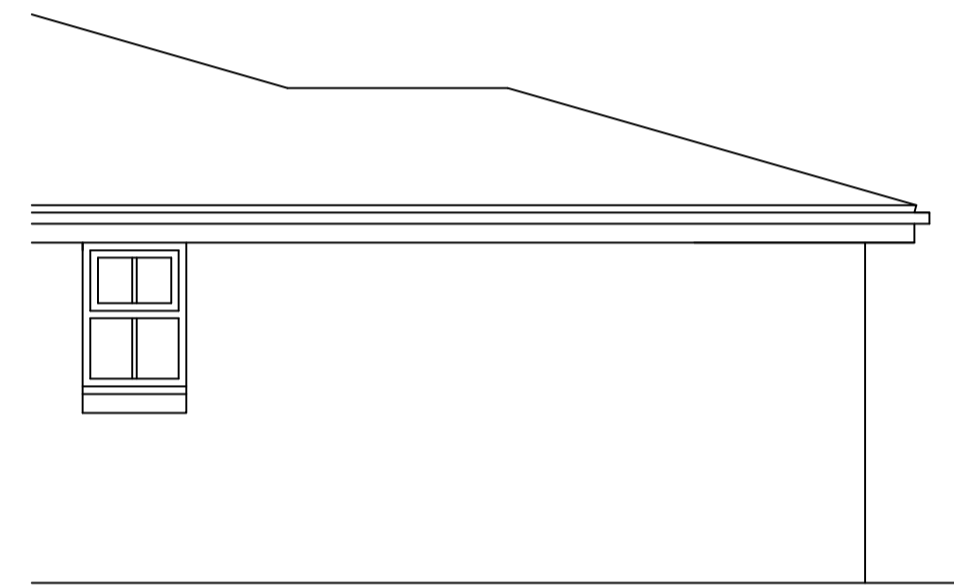


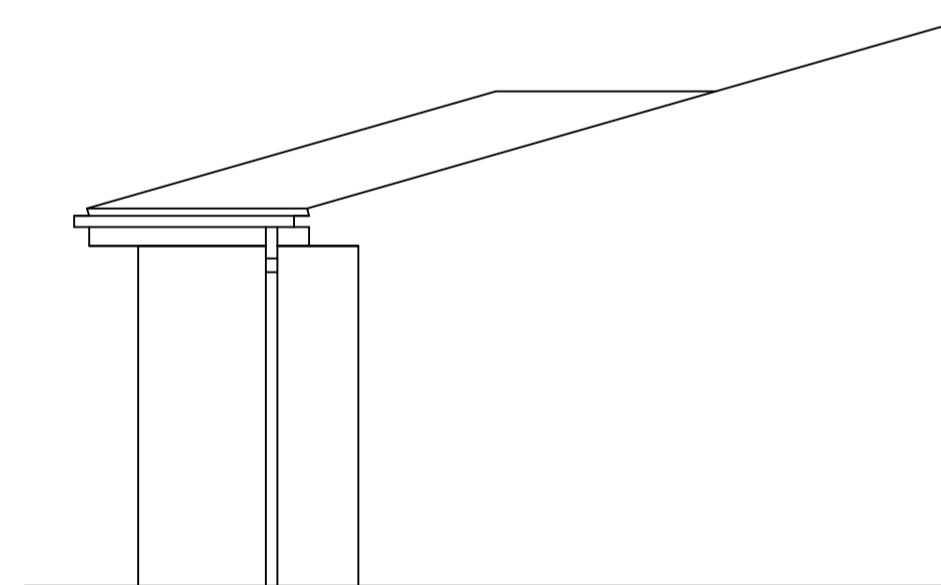
EXISTING GROUND FLOOR PLAN



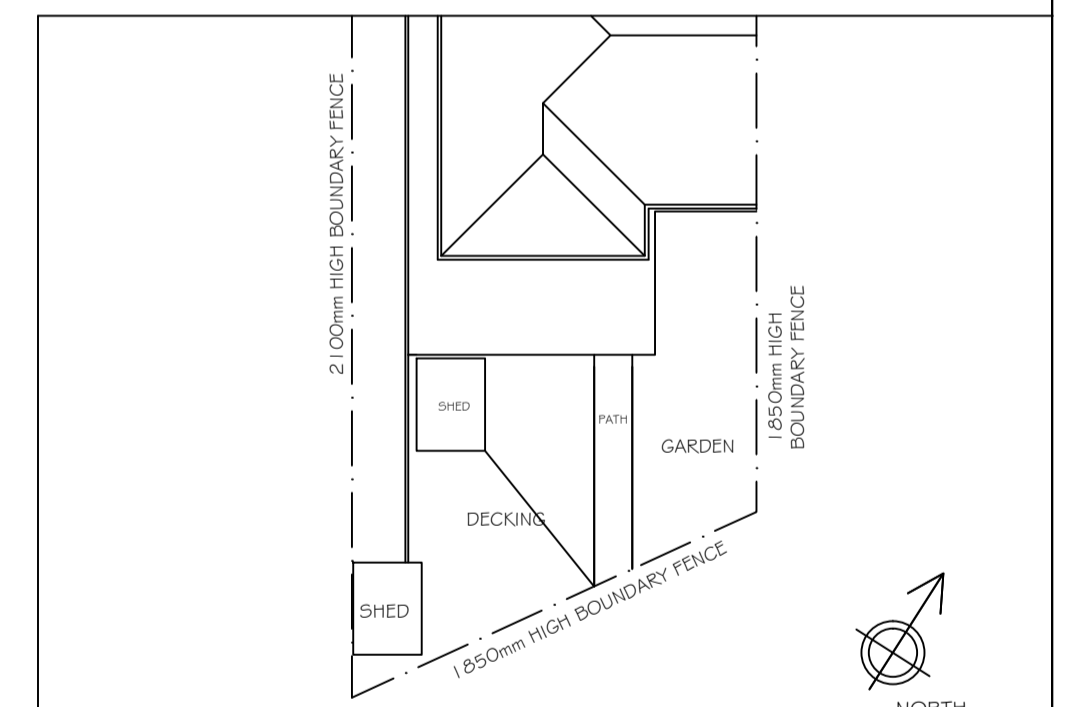
EXISTING REAR ELEVATION



EXISTING SIDE ELEVATION



EXISTING SIDE ELEVATION



EXISTING SITE PLAN (SCALE 1:200)

REVISION	DESCRIPTION	DRAWN BY	DATE

KB design
Architectural Services

SUITE 3,
TOWN HALL CHAMBERS,
7 BEACH ROAD,
SOUTH SHIELDS,
TYNE & WEAR,
NE33 2QA.
TEL : 0191 4566983
Email : mail@kbdesign.org.uk

TITLE
PROPOSED SUN ROOM & BEDROOM EXTENSION
14 GRACE COURT SOUTH SHIELDS
EXISTING PLANS & ELEVATIONS

SCALE 1:50 & 1:200	DATE 16.05.2015	DRAWN BY K.BUTLER
PROJECT No 0380	DRAWING No 2160	Revision -

THIS DRAWING AND/OR SPECIFICATION IS THE SOLE PROPERTY AND COPYRIGHT OF KB DESIGN AND MAY NOT BE DISCLOSED TO ANY THIRD PARTY OR REPRODUCED IN WHOLE OR IN PART WITHOUT THE PRIOR CONSENT OF AN AUTHORISED REPRESENTATIVE OF KB DESIGN.